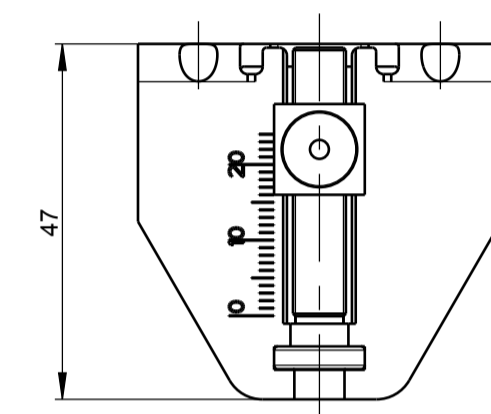
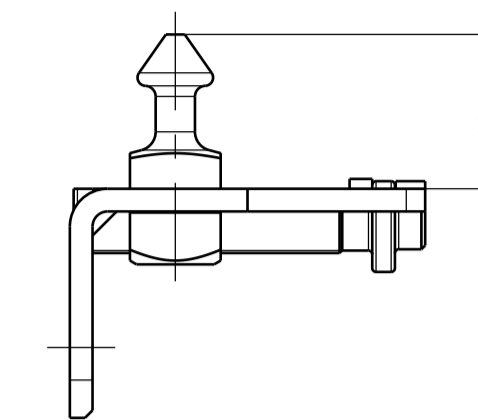
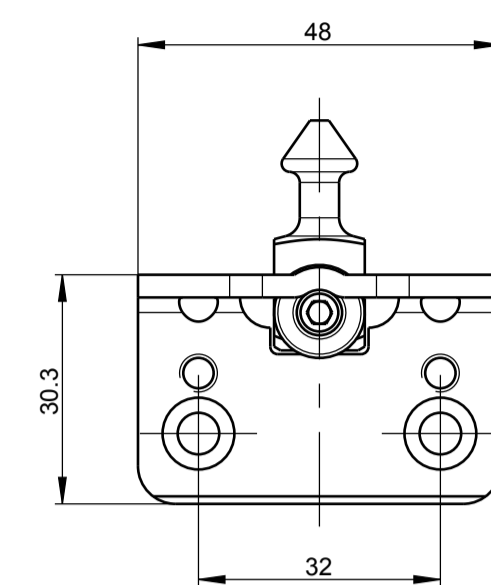
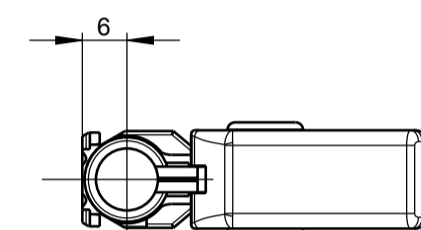
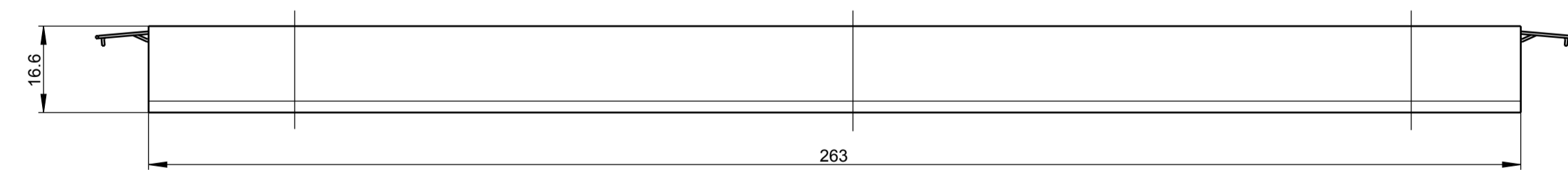
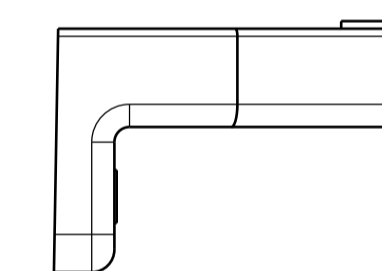
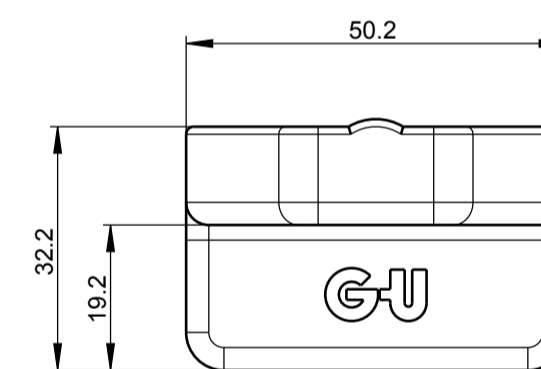
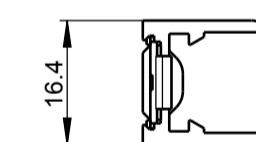
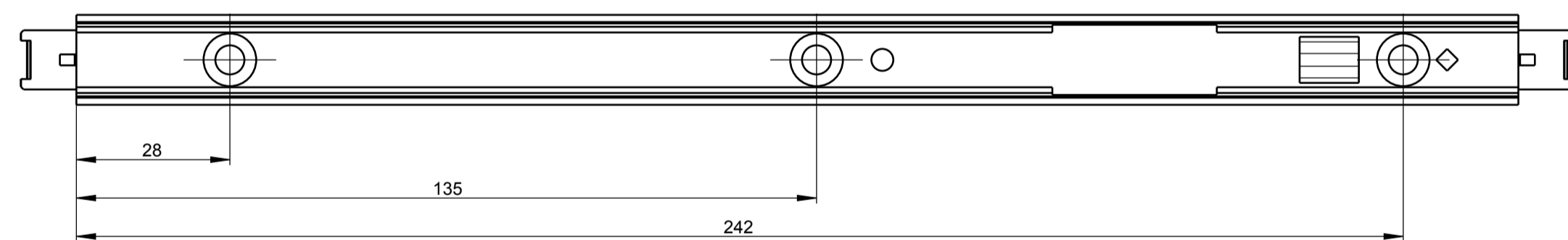


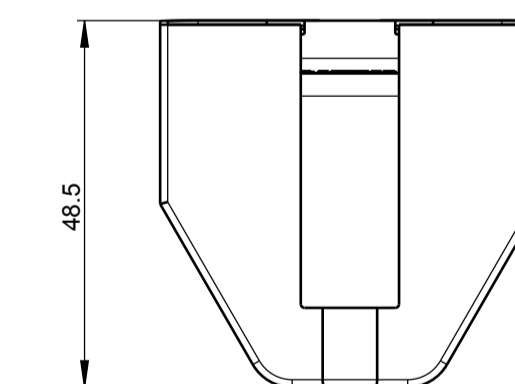
6-29131-00-0 1x



6-25772-00-0 1x



6-29134-00-0 1x



9-33346-01-0 1x

Description						
Karton Schere F200 mit Flügelstütze						
set stay F200 with sash bracket						
	Release No.	Level	Released	Scale	Modification	Size
	---	---	---	1:1	1	1
	Mod. No.	Drawn	07.12.2016	Dr	Drawing No.	Sheet
	---	---	---	---	K-15248-00-0	1/1
Replacement for ---						