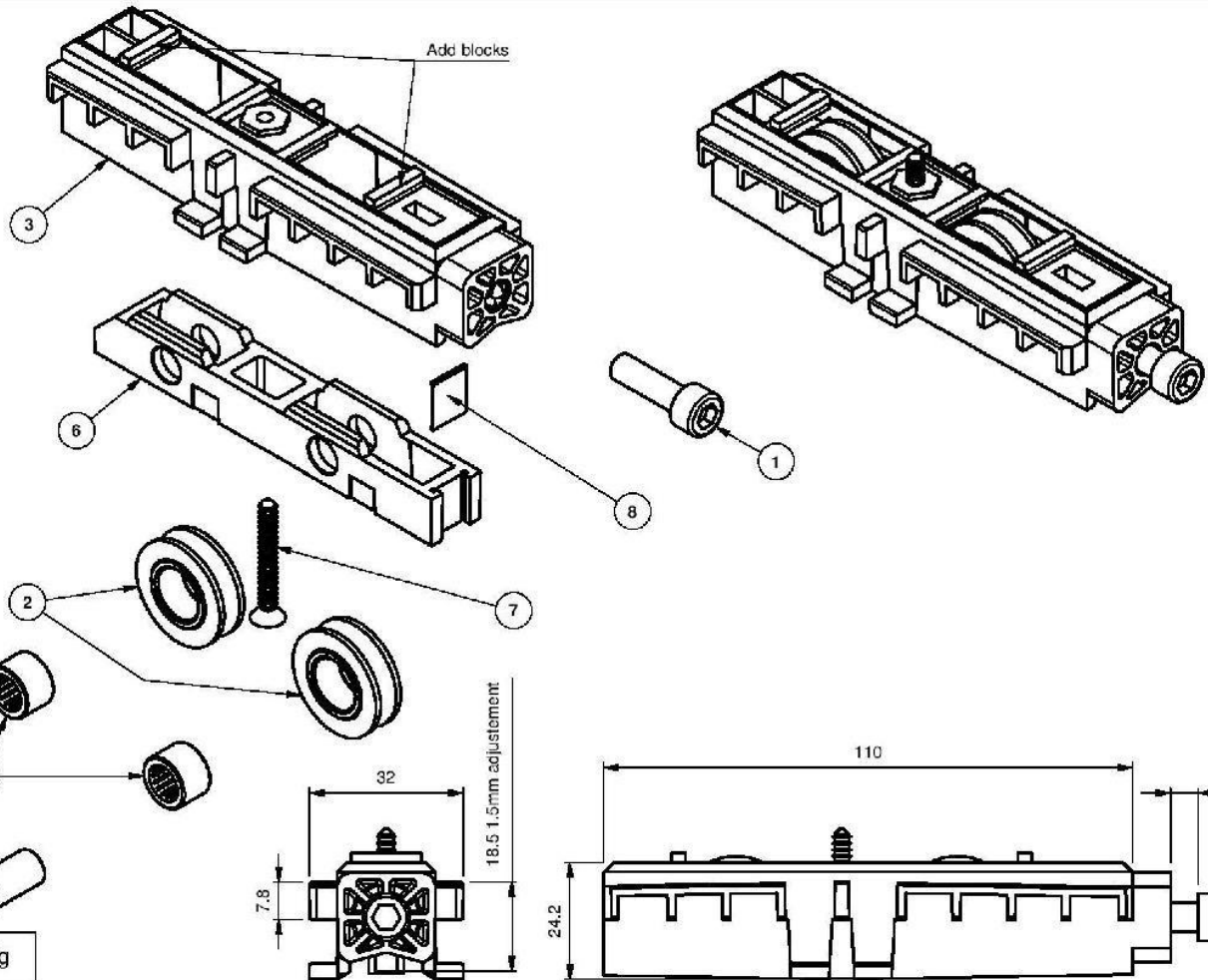
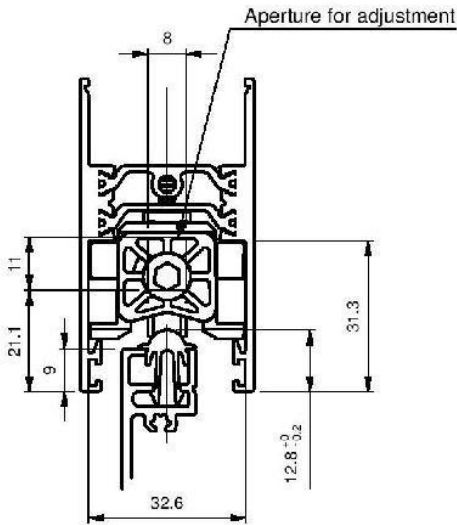


The reproduction, distribution and utilization of this document, as well as its communication or its content, is expressly prohibited. Offenders will be held liable for the payment of damages. All rights reserved in the event of the grant of a patent, utility model or design.



Plage de réglage

Cote de recouvrement : 9mm	sans charge	140 Kg	200 Kg
Position haute	+ 4.5 mm	+ 2.5 mm	+ 2.3 mm
Position basse	- 0.2 mm	- 0.2 mm	- 0.8 mm

Qty.	Pos.	Doc N°	Denomination
1	8	DOC-0001045474	Langouette - Tab
1	7	DOC-0001045476	Vis de fixation VBA 3.5x30 - Fixing screw VBA3.5x30
1	6	DOC-0001045480	Chape intérieure - Interior roller body
2	5	DOC-0001045478	Axes - Axis
2	4	DOC-0001045475	Bague de roulement - Rolling
1	3	DOC-0001045472	Corps de roulette double - Double roller body
2	2	DOC-0001052816	Roulette - Wheel
1	1	DOC-0001045471	Vis de réglage - Adjusting screw

NOTA: Roulette Sotralu réf: TECPR52

Série: GY65 / GA

Standards	All edges and corners without dimension R =		
Additional Description	Material	Date	Name
		15/01/2016	MAZARDL
Volume	42334 mm ³	Weight	0.289 kg
		Area	34636 mm ²
		Primary Brand ID	TGY3872
ADJUSTABLE DOUBLE ROLLER STAINLESS STEEL WHEEL		Doc No: DOC-0001052747	
ROULETTE DOUBLE REGLABLE BANDAGE INOX		Version: A	
Denomination		Item No.	
Sape Building Systems France		Revision	
270 rue Léon Joulin		TGY3872	
Version/Alteration		Date	
		10/03	
		TOULOUSE	

1 2 3 4 5 6 7 8

A
B
C
D
E
F