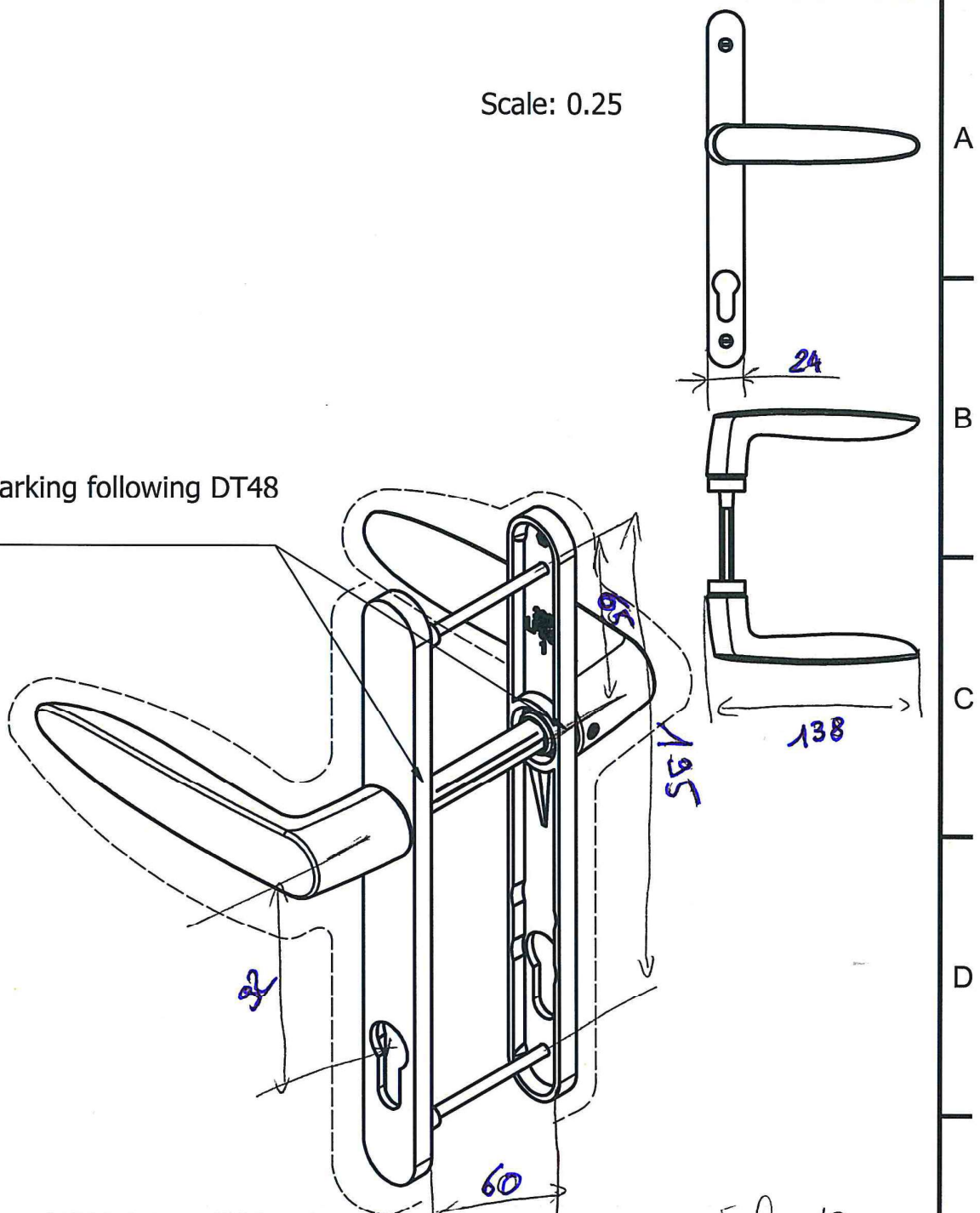


The reproduction, distribution and utilization of this document as well as the communication of its contents to others without express authorization is prohibited. Offenders will be held liable for the payment of damages. All rights reserved in the event of the grant of a patent, utility model or design.

1 | 2 | 3 | 4

Scale: 0.25

TECHNAL (Marking following DT48 Appendix 2)



NOTA:

- Reference HOPPE 1777/300LSL
- Delivered with 2 countersunk screws M4 x 60
- Visible surface

carré lg 120
□ 8

	Standards		All edges and corners without dimension R =				
	Additional Description		Material		Date	Name	Scale
	Béq. dble plaque				Drawn	26/07/2007	CLAVERIEG
	Volume 161163 mm ³		Weight	0,174 kg	Area	69725 mm ²	Commercial Item No. 960014
			Béquille double sur plaque				
			Béquille double sur plaque				
			Denomination		Doc No.	DOC-0000416449	Version
			Hydro Building Systems		Item No.	6960014	Revision
			270, rue Léon Joulin - BP 63709				
			31037 TOULOUSE Cedex 1				
Version	Alteration	Date	Name			A	

1 | 2 | 3 | 4